

# TSL2561 TSL 2561 TSL2561T

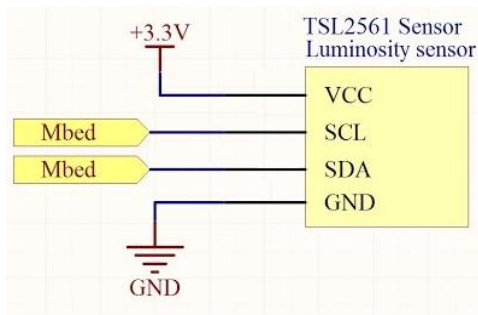
## Digital Luminosity Lux Light Sensor

The TSL2561 luminosity sensor is an advanced digital light sensor, ideal for use in a wide range of light situations. Compared to low cost CdS cells, this sensor is more precise, allowing for exact lux calculations and can be configured for different gain/timing ranges to detect light ranges from up to 0.1 - 40,000+ Lux on the fly. The best part of this sensor is that it **contains both infrared and full spectrum diodes!**

Vcc 2,7v s.d 3,6 volt  
komunikasi I2C

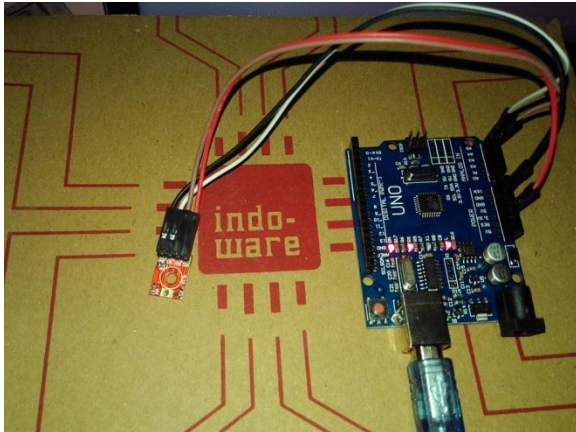


Contoh komunikasi dengan mikrokontroller atau dengan Arduino



Uji Coba dengan Arduino

```
// connect SCL to analog 5
// connect SDA to analog 4
// connect VDD to 3.3V DC
// connect GROUND to common ground
```



Pembacaan data dengan menggunakan serial monitor

```
// Example for demonstrating the TSL2561 library - public domain!
// connect SCL to analog 5
// connect SDA to analog 4
// connect VDD to 3.3V DC
// connect GND to common ground
// ADDR can be connected to any I2C address
// The address will be displayed in the serial monitor
// the ADDR pin float (addr)
// use TSL2561_ADDR_LOW (0)
// TSL2561_ADDR_HIGH (1)

void setup(void) {
  Serial.begin(9600);
}

if (tsl.begin()) {
  Serial.println("Found");
} else {
  Serial.println("No see");
  while (1);
}

// You can change the gain
// tsL.setGain(TSL2561_GAIN_1) // set 1x gain (for bright situations)
// tsL.setGain(TSL2561_GAIN_16) // set 16x gain (for dim situations)

// Change the integration time (100ms - 1000ms) - use tsL.setIntegrationTime(1000)

Done uploading.

Sketch uses 5,764 bytes (17%) of program storage space. Maximum is 32,256 bytes.
Global variables use 408 bytes (2%) of dynamic memory, leaving 3,692 bytes for local variables. Maximum is 2,048 bytes.
```

| IR:    | Full:     | Visible:     | Lux:     |
|--------|-----------|--------------|----------|
| 279    | 305       | 279          | 251      |
| IR: 26 | Full: 300 | Visible: 281 | Lux: 253 |
| 274    | 298       | 272          | 244      |
| IR: 26 | Full: 298 | Visible: 272 | Lux: 244 |
| 246    | 291       | 246          | 239      |
| IR: 25 | Full: 291 | Visible: 246 | Lux: 239 |
| 270    | 297       | 271          | 244      |
| IR: 26 | Full: 297 | Visible: 271 | Lux: 244 |
| 274    | 300       | 274          | 246      |
| IR: 26 | Full: 300 | Visible: 274 | Lux: 246 |
| 273    | 299       | 273          | 245      |
| IR: 26 | Full: 299 | Visible: 273 | Lux: 245 |
| 275    | 302       | 276          | 248      |
| IR: 26 | Full: 302 | Visible: 276 | Lux: 248 |

**[Link download library & example produk:](#)**

<https://github.com/adafruit/TSL2561-Arduino-Library>

**[Album terkait uji coba produk:](#)**

<https://www.facebook.com/media/set/?set=a.1118448294841118.1073742274.383734711645817&type=3&uploaded=4>