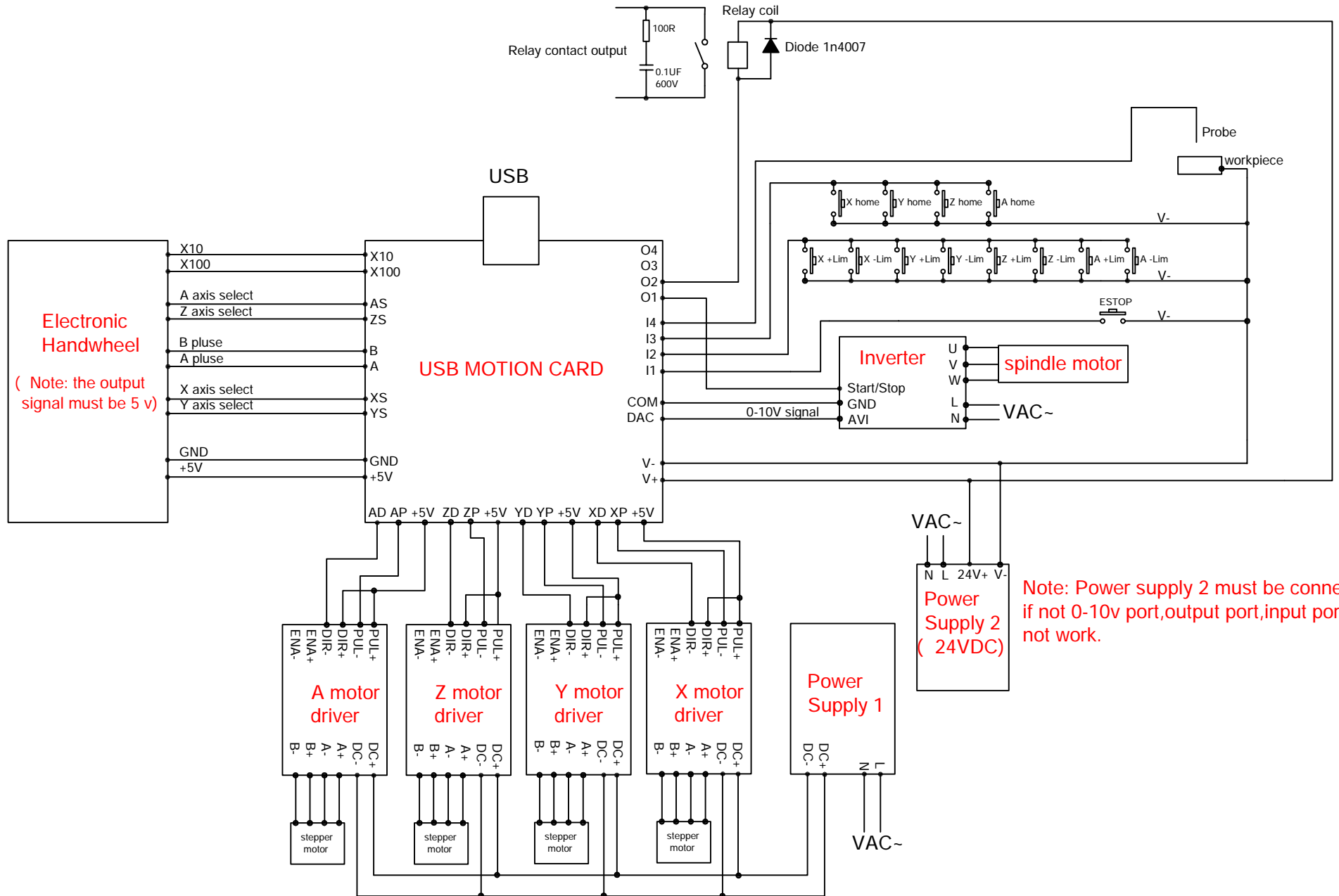


Electric Wiring Diagram



Electronic Handwheel
 (Note: the output signal must be 5 v)

USB MOTION CARD

Inverter

spindle motor

A motor driver

Z motor driver

Y motor driver

X motor driver

Power Supply 1

Power Supply 2 (24VDC)

Note: Power supply 2 must be connected, if not 0-10v port,output port,input port will not work.