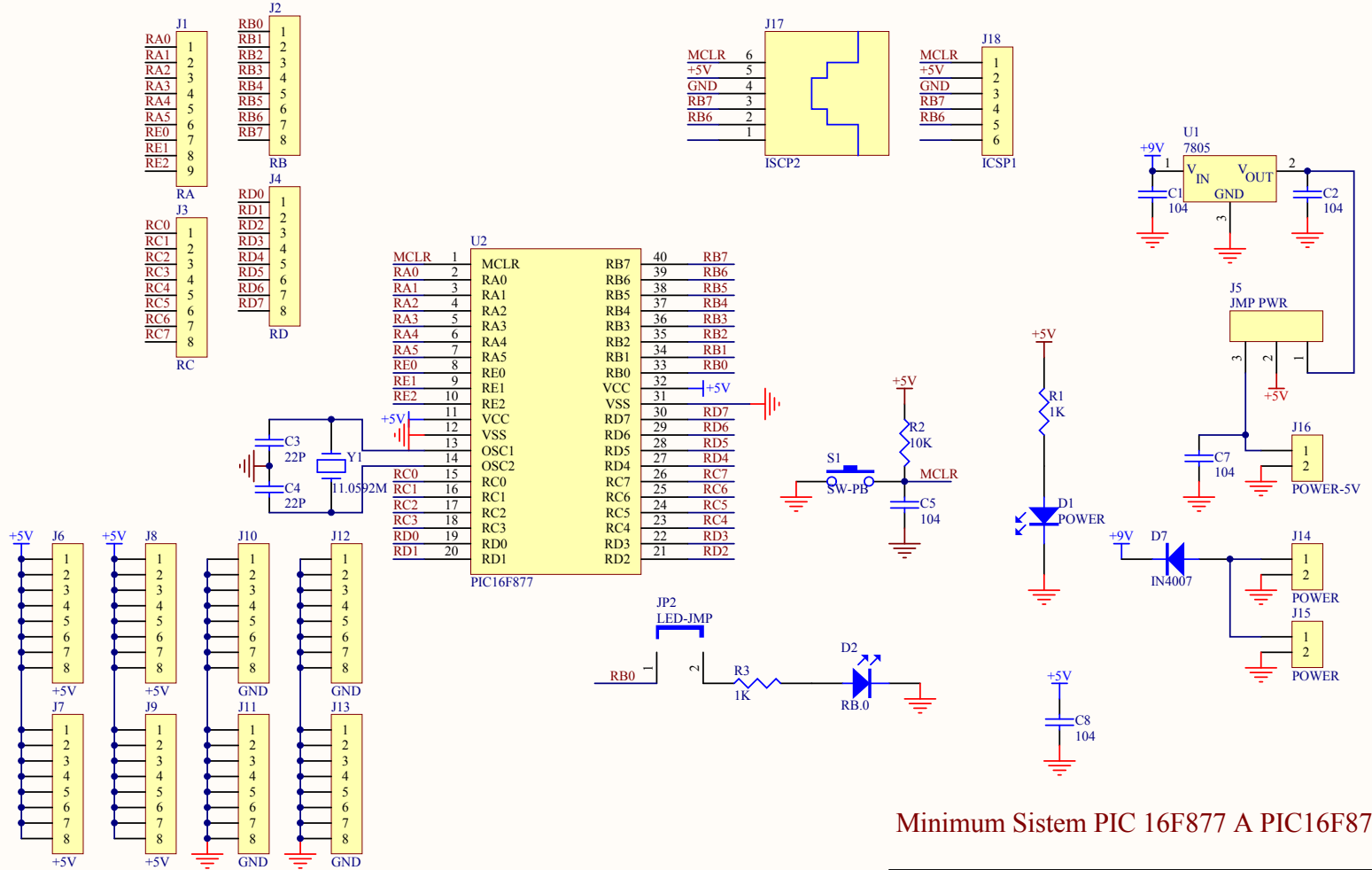


# Minimum Sistem PIC 16F877 A PIC16F877A



# Minimum Sistem PIC 16F877 A PIC16F877A

Title		
Size	Number	Revision
A4		
Date:	11/28/2015	Sheet of
File:	C:\pcb\2015\pic_16f877\LB-PIC16F877.Sch	